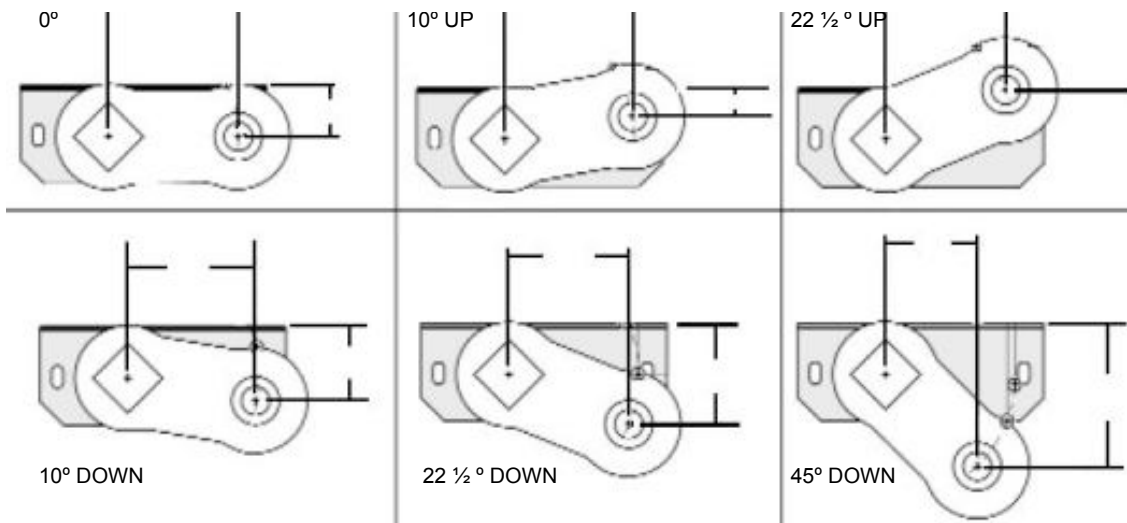
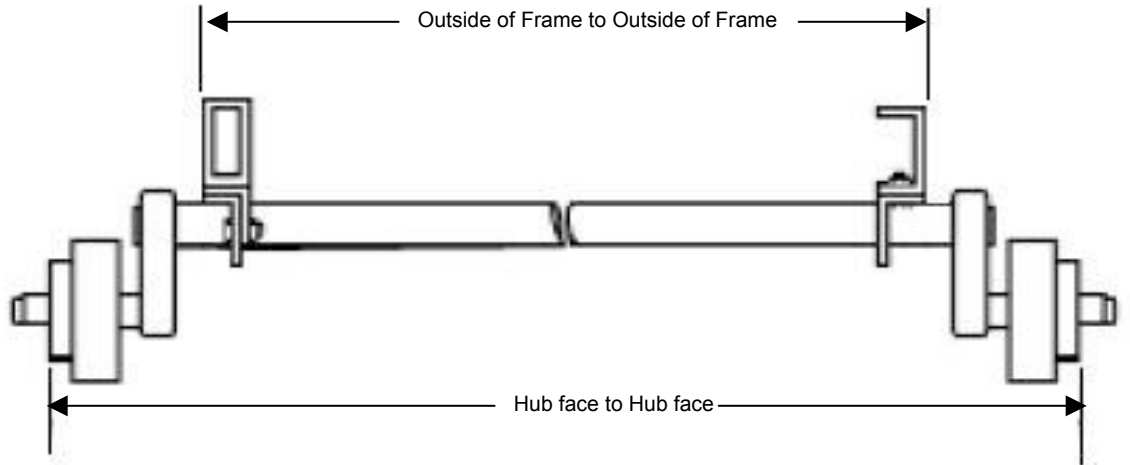


# Measuring for Replacement Torflex Axles



Determine where the center of the spindle is in relationship to the bottom of the main frame to help determine closest articulation angle.

Customer Name: \_\_\_\_\_

Capacity (2000LB, 3500LB, 6000LB, 7000LB, etc) \_\_\_\_\_

Lube Type \_\_\_\_\_  
(Grease, Oil Bath)

Bolt Pattern (4 Bolt, 5 Bolt\*, 6 Bolt, 8 Bolt) \_\_\_\_\_

Hub face to Hub face \_\_\_\_\_

Stud Size \_\_\_\_\_  
(1/2", 9/16" Etc)

Outside of Frame to Outside of Frame \_\_\_\_\_

Articulation Angle  
(0, 10 Up, 22 1/2 Up, 10 Down, 22 1/2 Down, 45 Down) \_\_\_\_\_

Brake Type  
(Idler, Electric, Hydraulic, Hydraulic Free Backing, Etc) \_\_\_\_\_

Other Information \_\_\_\_\_

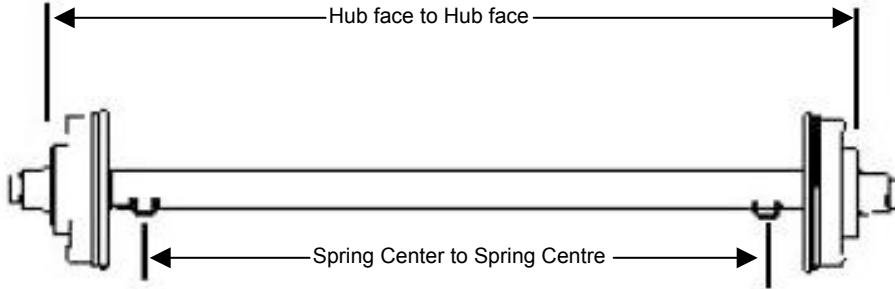
**\*Please Note**  
Standard 5 bolt pattern on trailer axles is **5 on 4 1/2"** bolt circle.  
There are also:  
5 on 4 3/4  
5 on 5  
5 on 5 1/2  
Please ensure you order the correct 5 bolt pattern.

Fax Completed Form to 306 773 6080 Attn: \_\_\_\_\_

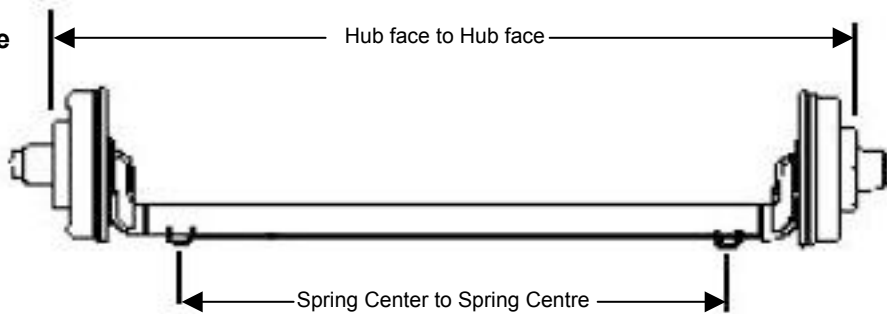
# Measuring for Replacement Sprung Axles



**Straight Axle**



**4" Drop Axle**



Customer Name: \_\_\_\_\_

Capacity (2000LB, 3500LB, 6000LB, 7000LB, etc) \_\_\_\_\_

Straight \_\_\_\_\_

4" Drop \_\_\_\_\_

Beam Diameter  
(1 3/4", 2 3/8", 3", Etc) \_\_\_\_\_

Bolt Pattern (4 Bolt, 5 Bolt\*, 6 Bolt, 8 Bolt) \_\_\_\_\_

Stud Size \_\_\_\_\_

(1/2", 9/16" Etc)

Hub face to Hub face \_\_\_\_\_

Lube Type \_\_\_\_\_

(Grease, Oil Bath)

Spring Center to Spring Center \_\_\_\_\_

Under slung or Over slung  
(Springs mounted under axle or over axle) \_\_\_\_\_

Brake Type  
(Idler, Electric, Hydraulic, Hydraulic Free Backing, Etc) \_\_\_\_\_

Other Information \_\_\_\_\_

**\*Please Note**

Standard 5 bolt pattern on trailer axles is **5 on 4 1/2"** bolt circle.

There are also:

5 on 4 3/4"

5 on 5"

5 on 5 1/2"

Please ensure you order the correct 5 bolt pattern.

Fax Completed Form to 306 773 6080 Attn: \_\_\_\_\_